

4

3

2

1

F

F

E

E

D

D

C

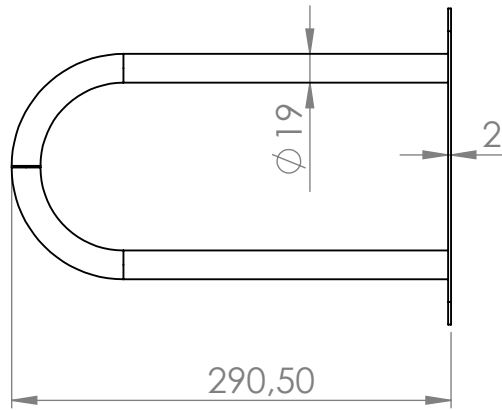
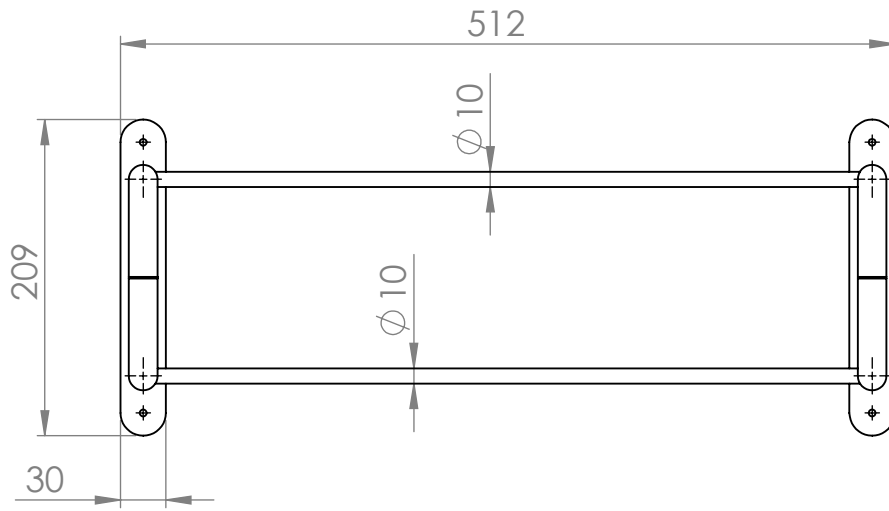
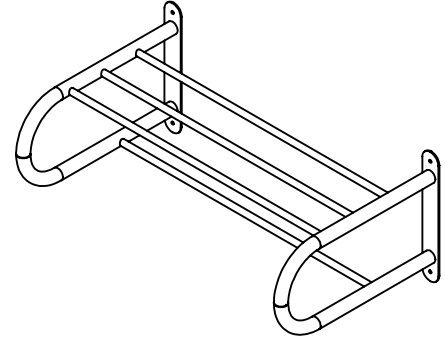
C

B

B

A

A



Dimensions: mm Tolerance: +10mm/-10mm Materiel: Stainless Steel 304 Quality

Product:

u destekli raf havluluk lamalı

A4

ÖLÇEK: 1:10

SAYFA 1 / 1

4

3

2

1